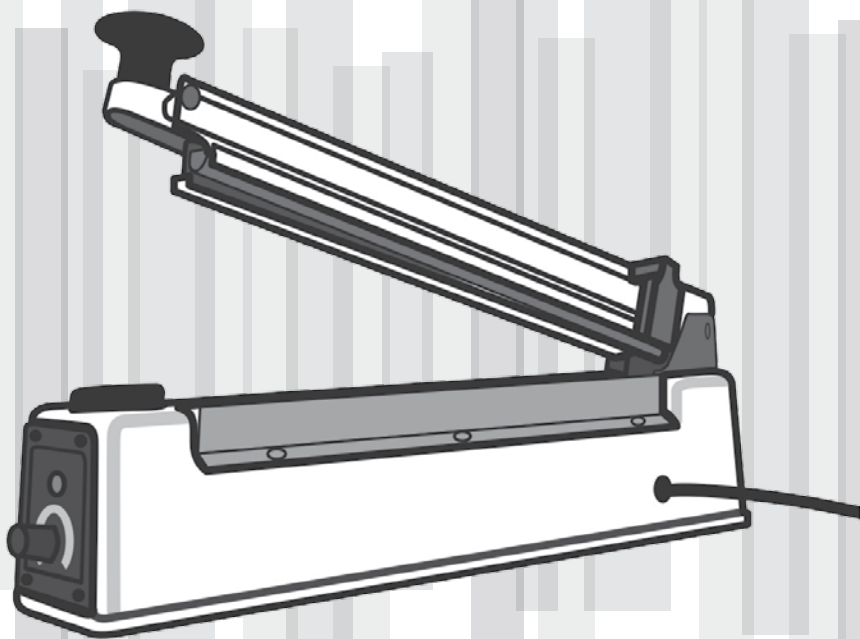




Electric Bag Sealer with Cutter

Instruction Manual



Safety Instructions	2
Operating Instructions	3
Components	3



Thank you for purchasing our 305mm (12") Electric Bag Sealer with Cutter. You will be able to quickly and efficiently seal polyethylene or polypropylene bags, sheets or flat tubing up from 0.01 -0.8mm thick. Unique sliding blade removes excess material 19 mm from the seal.

Safety Precautions

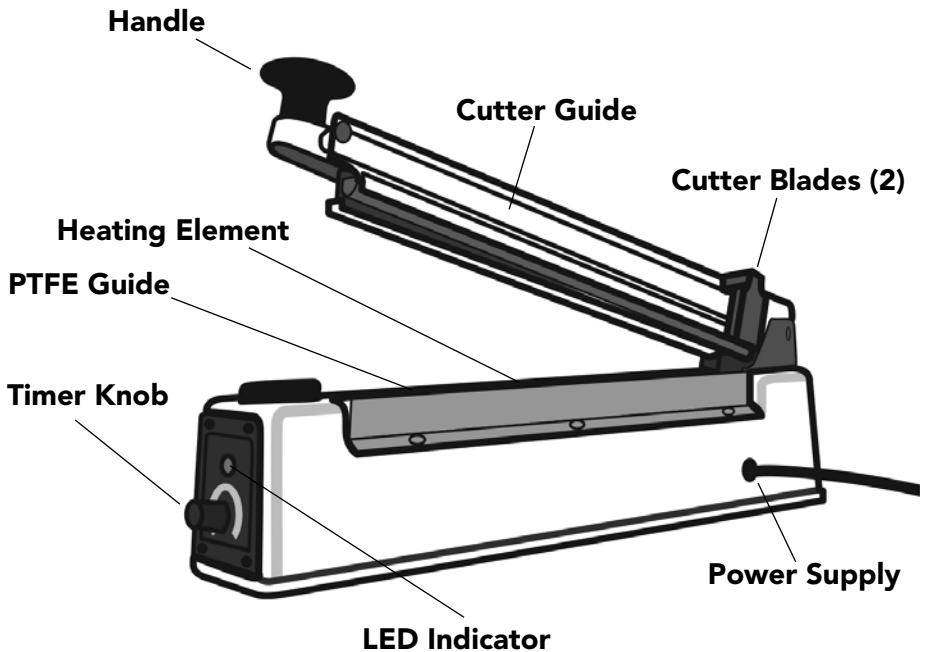
This manual cannot address all safety hazards. It is the responsibility of the user to consult and observe all health and safety precautions and to assess the sealer's suitability to the task.

1. Read this instruction manual before operating the sealer and cutter.
2. Observe general laboratory safety precautions and regulations.
3. Follow all precautions from the Material Safety Data Sheet (MSDS) for any reagent you use with this sealer.
4. Never operate the sealer in a hazardous or flammable environment.
5. To protect against risk of electrical shock, do not put sealer in water or other liquid.
6. Blade is extremely sharp. Keep hands, hair, clothing and other utensils away from blade during operation to reduce risk of injury to persons and/or sealer.
7. Always work in a manner which neither endangers the user, nor any other person.
8. Never use force when using.
9. Unplug from outlet before changing parts or cleaning.
10. Only use original manufacturer's accessories and spare parts.
11. Repairs are to be performed by trained and authorized service personnel only.
12. Do not pull, twist or otherwise abuse the power cord. Never carry the sealer by the cord or pull from the cord to remove from an outlet. Always grasp the plug and pull to disconnect.

Operating Instructions

1. Set the knob based on the thickness of the material to be sealed.
2. Sealing time is between 1 and 8 seconds. Use a higher number for thicker materials.
3. Place the area to be sealed across the bar. Press the handle down evenly.
4. Heating is only applied while the light is on.
5. When the light turns off either slide blade across to cut away excess material or lift handle to remove.
6. Adjust the knob if needed.

Components



Includes:

- Two extra blades
- Two extra heating elements
- Two extra PTFE cloths



This mark is the confirmation that the unit conforms to the EU guidelines and has been tested according to the Low Voltage Directive and Electromagnetic Directive (IEC 61204-3:2000)

PART NUMBER	DESCRIPTION	PLUG TYPE
HS28270	220/230 VAC	U.K.
HS28271	220/230 VAC	Cont. Europe/Israel
HS28272	110/120 VAC	U.S./Taiwan/Japan
HS28280	Replacement Part Kit	—

2 extra blades, 2 extra heating elements and 2 extra PTFE cloths
